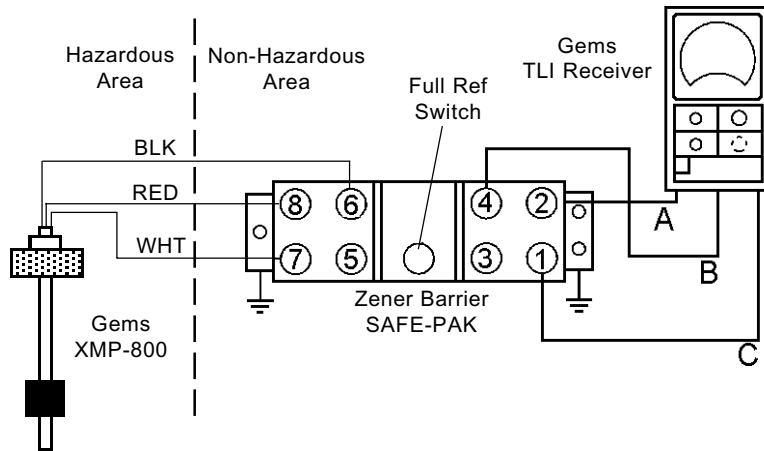


Wiring Connections

Gems Transmitters interface with intrinsically safe barriers.



Important Points!

Product must be maintained and installed in strict accordance with the National Electrical Code and GEMS technical brochure and instruction bulletin. Failure to observe this warning could result in serious injuries or damages.

An appropriate explosion-proof enclosure or intrinsically safe interface device must be used for hazardous area applications involving such things as *(but not limited to)* ignitable mixtures, combustible dust and flammable materials.

Pressure and temperature limitations shown on individual catalog pages and drawings for the specified liquid level transmitters must not be exceeded. These pressures and temperatures take into consideration possible system surge pressures/temperatures and their frequencies.

The liquids used must be compatible with the materials of construction. Specifications of materials will be given upon request.

Physical damage sustained by the product may render it unserviceable.



XMP-800 Compact Transmitters

Instruction Bulletin No. 140892

General Information

XMP-800 transmitters interface with GEMS Analog Receiver Stations or Level Cube Receivers for complete tank level indication. These all plastic units can NPT-thread mount (internally or externally) or flange-mount and are accurate to $\pm 1/4"$, regardless of tank depth.

Installation and Maintenance

The XMP-800 may be installed through the tank top with mounting plug or flange, up to 30° vertical. Maintenance requirements are minimal and usually limited to occasional removal of accumulated scum or scale.

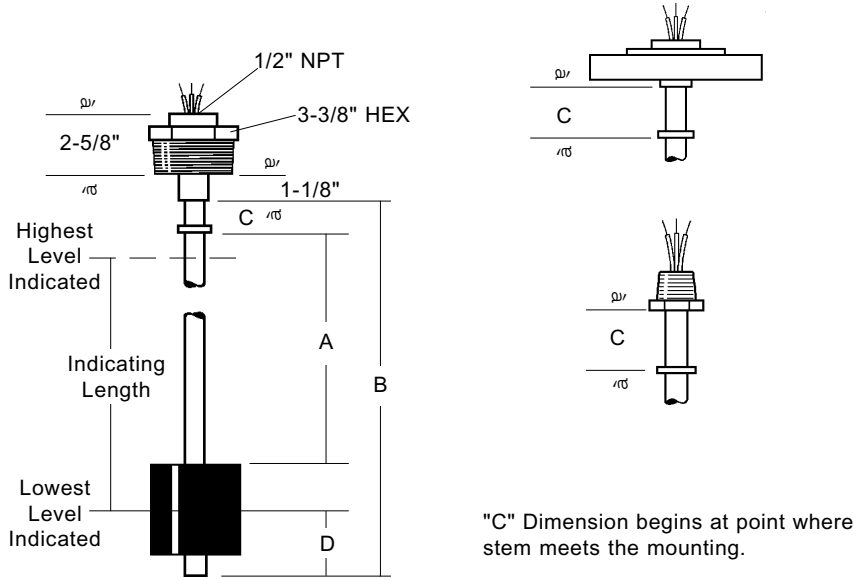
- Mounting Types -

Type A 1" NPT	Type B 3" NPT	Type C 3" - 150# Flange

Stem, Mounting and Float Stop Material	PVC, Polypropylene or Kynar® (PVDF)
Operating Temperature	See Chart, Inside Page
Operating Voltage	10-30 VDC
Overall Length, Max.	70" (Please consult Factory for Longer Lengths)
Electrical Termination	Lead Wires (3), #22 AWG, 24", Teflon® Jacket
Output Signal*	Proportional Voltage

* No special output designation is necessary

Typical Dimensions



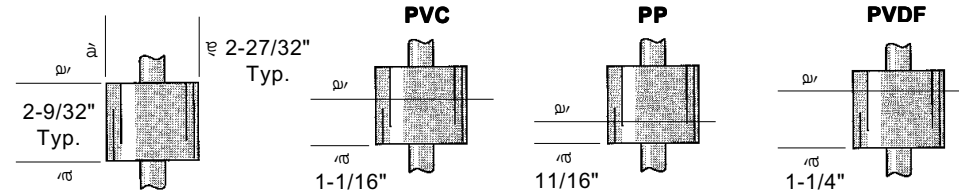
- A: Float Travel = Indicating Length + 5/8"
- B: Overall Length (Not to exceed 70 inches) = Indicating Length
- C: Distance to Float Stop (Specified by Customer):
3/8" Min. with Float Stop
0" Without float Stop
- D: Distance Lowest Level Indicated to End of Stem =
1-7/8" to centerline of float.

Notes

1. The centerline of the float is used as a standard reference point for minimum and maximum levels indicated.
2. Indicating length must be specified in even increments of 1/2".
3. Bottom support is recommended for units longer than 36" or in application turbulent conditions.

Float Types

Float Submersion Depths In Water (Specific Gravity of 1.00)



Part Number	Material	Min. Liquid Specific Gravity
61326	PVC	.60
61327	Polypropylene	.40
61328	PVDF	.75

Maximum Pressure vs Temperature

Part Number	Material	0°F (17.8°C)	70°F (21.1°C)	100°F (37.8°C)	125°F (51.7°C)
61326	PVC	50 psi	50 psi	35 psi	20 psi
61327	Polypropylene	50 psi	50 psi	40 psi	35 psi
61328	PVDF	50 psi	50 psi	45 psi	40 psi

Part Number	Material	140°F (60.0°C)	170°F (76.7°C)	200°F (93.3°C)	210°F (98.9°C)
61326	PVC	10 psi			
61327	Polypropylene	30 psi	25 psi		
61328	PVDF	35 psi	30 psi	25 psi	25 psi

Not recommended at these temperatures