

All-PVC Versions Are Economical for Light Duty

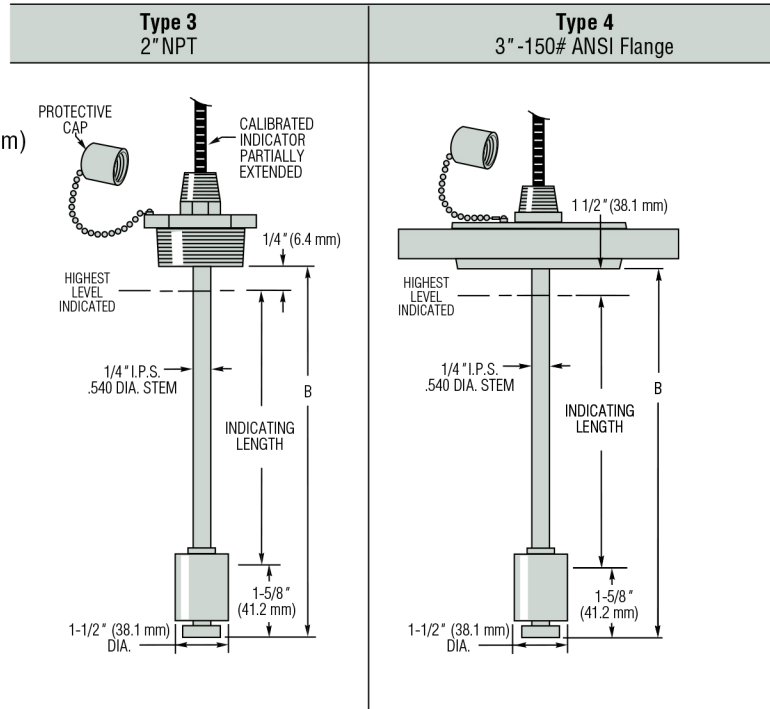
ORDER IT!
Ordering is Easy! See Page D-27.
Easy online ordering too!

- ▶ Temperatures to 140°F (60°C)
- ▶ Pressures to 15 PSI (1 bar) Max.

Ideal for chemical storage tanks, our all-PVC DIPTAPE Indicators provide one of your best values for liquid level monitoring. These light duty versions are recommended for use in calm liquids and ambient temperature and pressure levels. See Engineered Plastic versions on the next page for enhanced performance characteristics.

1. Mounting Types

"B" Dimension (Length Overall):
Indicating Length + 1-7/8" (47.6 mm)



Stem, Float and Mounting Material	PVC
Min. Liquid Specific Gravity	0.65
Operating Temperatures	0°F to +140°F (-17.7°C to 60°C)
Operating Pressure, Max.	15 psi (1 bar)
Indicating Length*	6" to 72" (15.2 cm to 182.9 cm)
Std. Indication Markings	1/16" or 1 mm increments

*For longer lengths, please consult factory.

Ordering Is Easy

1. To specify DIPTAPE Level Indicators, start by photocopying the OrderIt! Product Check List located on Page D-27.
2. Use the product information in this section to make your selections on the Check List. Please use a separate Check List for each unique configuration.
3. Fax your completed OrderIt! Check List to Gems for a price quotation.
Fax: 860-747-4244

LEVEL INDICATORS - VISUAL